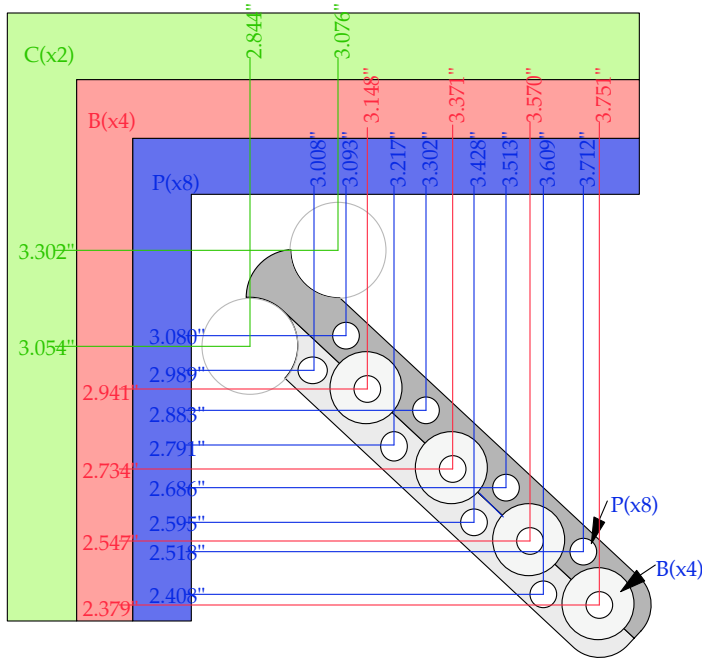
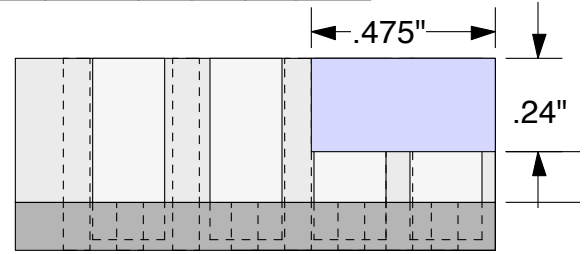


ARM DETAIL: top view

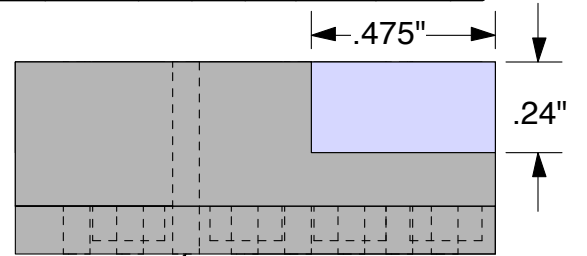


(Dimensions measured from lower left hand corner of cavity body)

ARM DETAIL: front view with grating



ARM DETAIL: front view with grating, grating jig



Thru-hole for dowel pin (or small Allen wrench)

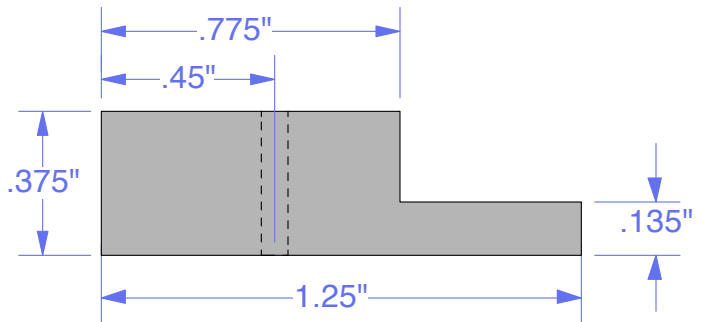
GRATING ALIGNMENT JIG:

To be used while gluing grating to grating arm, to allow positioning of "floating" grating at correct height above arm lip. Insert dowel pin or small Allen wrench through jig and grating arm to hold jig in place while gluing

Material: 6061-T6 aluminum

P : 1 x 4/40 thru, for dowel pin to aid jig positioning

JIG: front view



JIG: top view

