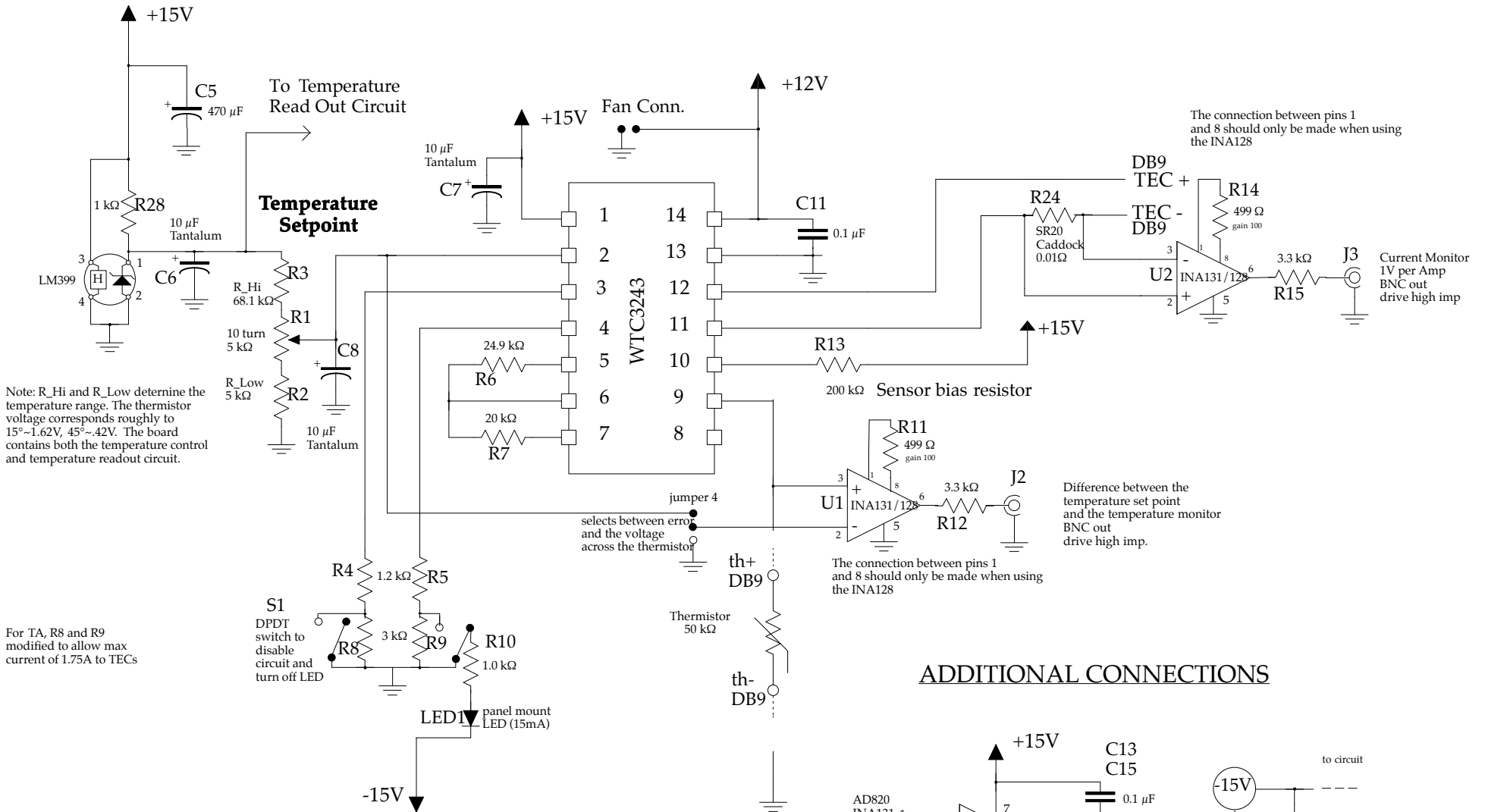


TAPERED AMPLIFIER TEMPERATURE CONTROLLER

Using WTC3243 from wavelength electronics

Based on laser diode temperature controller by
T. Meyrath 10/03, modified by E. Schoene 01/05
Modified for TA by P. Martin 01/12



Note: R_Hi and R_Low determine the temperature range. The thermistor voltage corresponds roughly to 15°~1.62V, 45°~.42V. The board contains both the temperature control and temperature readout circuit.

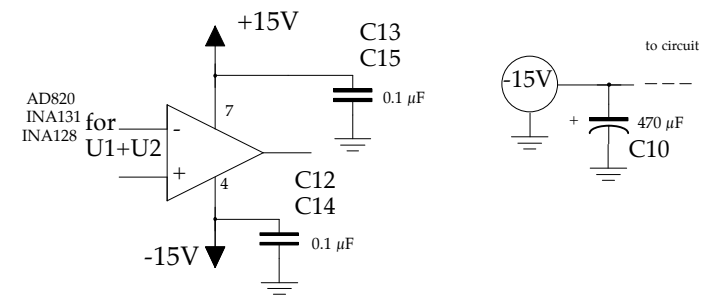
For TA, R8 and R9 modified to allow max current of 1.75A to TECs

The connection between pins 1 and 8 should only be made when using the INA128

Difference between the temperature set point and the temperature monitor BNC out drive high imp.

The connection between pins 1 and 8 should only be made when using the INA128

ADDITIONAL CONNECTIONS



POWER SUPPLY

