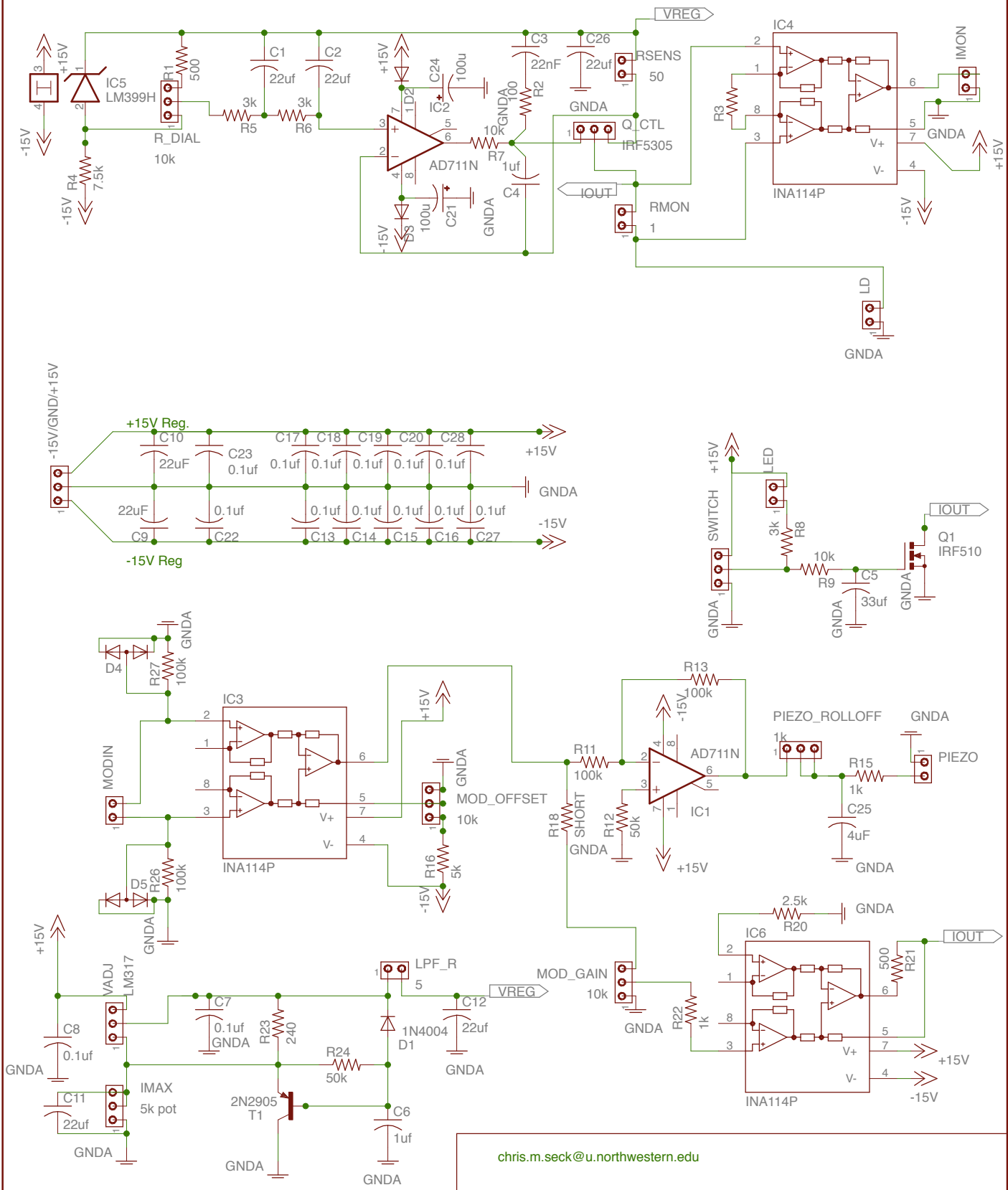


Make sure Rsense and Rmon add up to 13V / Max Laser Current



chris.m.seck@u.northwestern.edu

TITLE: MITPosCurRv03

Document Number:

REV:

Date: 3/26/14 12:10 PM

Sheet: 1/1